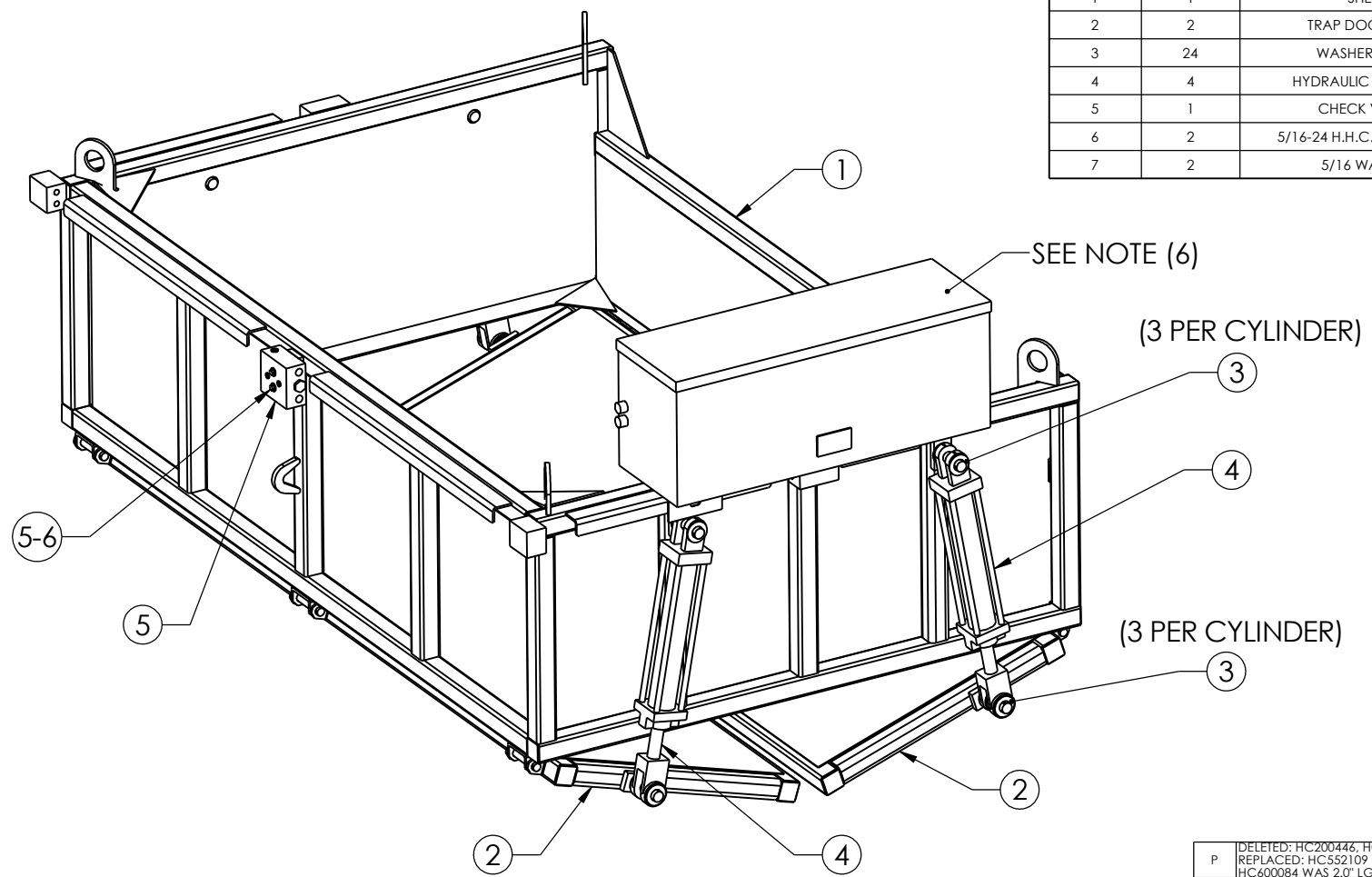


8 7 6 5 4 3 2 1

ITEM NO.	QTY	DESCRIPTION	PART NO.
1	1	SHELL	H10742
2	2	TRAP DOOR ASSY	H10738
3	24	WASHER (SAE)	H10788
4	4	HYDRAULIC CYLINDER	H10881
5	1	CHECK VALVE	HC552109
6	2	5/16-24 H.H.C.S (GRADE 5)	HC600084
7	2	5/16 WASHER	HC622009



NOTE:
 1) ~700 lbs.
 2) 92" x 60" OVERALL (L x W)
 3) ~30" OVERALL HEIGHT (HIGH SIDE)
 4) ~18" OVERALL HEIGHT (LOW SIDE)
 5) 3 1/2 YARD CAPACITY
 6) SHOWN WITH OPTIONAL REMOTE POWER PACK

P	DELETED: HC200446, HC620209, HC652067 REPLACED: HC552109 WAS HC552041, HC600084 WAS 2.0" LG 5/16 BOLT	5/13/2008	BJS
O	UPDATE REVS THRU "O"	11/27/01	
REV.	DESCRIPTION	DATE	BY

MATERIAL	STEEL	DRAWN	NAME	DATE
FINISH	PAINTED	CHECKED	PW	
		ENG APPR:		
		IMG APPR:		
		G.A.		
		TITLE:		
		HYDRAULIC SUPER DUMPER		
	DO NOT SCALE DRAWING			

PROPRIETARY AND CONFIDENTIAL
 THE INFORMATION CONTAINED IN THIS DRAWING IS THE SOLE PROPERTY OF HEIDEN INC. ANY REPRODUCTION IN PART OR AS A WHOLE WITHOUT THE WRITTEN PERMISSION OF HEIDEN INC. IS PROHIBITED.

HEIDEN
 HEIDEN INC.
 4624 EXPO DRIVE
 MANITOWOC, WI 54220
 www.heidenco.com

SIZE: **B** DWG. NO.: **HC10099-4** REV. **P**
 SCALE: 3/8" WEIGHT: SHEET 1 OF 1

8 7 6 5 4 3 2 1